



**DEEP CYCLE**  
**SERIES: 5000**  
**MODEL: 4 KS 25P**

**BATTERY ENGINEERING**  
**WWW.ROLLSBATTERY.COM MADE IN CANADA**

**BATTERY TYPE: 4 VOLTS**

**DIMENSIONS:**

<b>LENGTH</b>	400 MM	15 3/4 INCHES
<b>WIDTH</b>	270 MM	10 5/8 INCHES
<b>HEIGHT</b>	629 MM	24 3/4 INCHES

**WEIGHTS:**

<b>WEIGHT DRY</b>	100 KG	220 LBS.
<b>WEIGHT WET</b>	143 KG	315 LBS.

**CONTAINER CONSTRUCTION:**

<b>CONTAINER: (INNER)</b>	POLYPROPYLENE	<b>TERMINALS:</b>	FLAG WITH STAINLESS STEEL NUTS AND BOLTS
<b>COVER: (INNER)</b>	POLYPROPYLENE - HEAT SEALED TO INNER CONTAINER	<b>HANDLES:</b>	MOLDED
<b>CONTAINER: (OUTER)</b>	HIGH DENSITY POLYETHYLENE		
<b>COVER: (OUTER)</b>	HIGH DENSITY POLYETHYLENE SNAP FIT TO OUTER CONTAINER		

**PLATES:**

**POSITIVE PLATE DIMENSION:**

<b>HEIGHT</b>	432 MM	17.000 INCHES
<b>WIDTH</b>	143 MM	5.625 INCHES
<b>THICKNESS</b>	6.99 MM	0.275 INCHES

**NEGATIVE PLATE DIMENSION:**

<b>HEIGHT</b>	432 MM	17.000 INCHES
<b>WIDTH</b>	143 MM	5.625 INCHES
<b>THICKNESS</b>	4.57 MM	0.180 INCHES

**CELLS:** 2      **PLATES/CELL:** 25

POSITIVE PLATE DOUBLE WRAPPED WITH SLYVER ENVELOPED WITH HEAVY DUTY SEPARATOR

**SEPARATOR:**  
**THICKNESS** 3 MM 0.105 INCHES

**INSULATION:**  
**GLASS MAT** 1 MM 0.020 INCHES

**CAPACITY:**

<b>CRANK AMPS:</b>		
<b>COLD (CCA)</b>	0°F / -17.8°C	3714
<b>MARINE (MCA)</b>	32°F / 0°C	4643

**ELECTROLYTE RESERVE:**  
**ABOVE PLATES** 95 MM 3.75 INCHES

**RESERVE CAPACITY:**  
**RC @ 25A** 4290 MINUTES

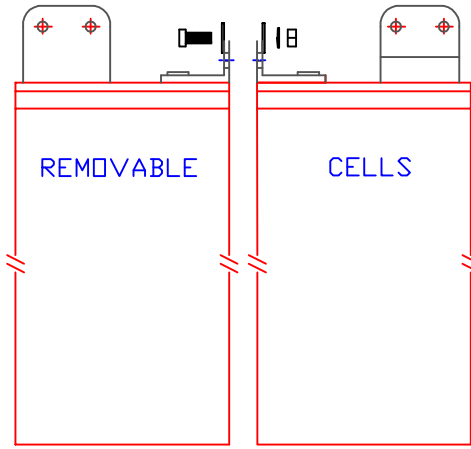
**20 HR RATE: 1350**

	<b>HOURLY RATE</b>	<b>SPECIFIC GRAVITY</b>	<b>CAP / AH</b>	<b>CURRENT / AMPS</b>
CAPACITY @	100 HOUR RATE	1.280 SP. GR.	1904	19.04
CAPACITY @	72 HOUR RATE	1.280 SP. GR.	1796	24.94
CAPACITY @	50 HOUR RATE	1.280 SP. GR.	1661	33.21
CAPACITY @	24 HOUR RATE	1.280 SP. GR.	1404	58.5
<b>CAPACITY @</b>	<b>20 HOUR RATE</b>	<b>1.280 SP. GR.</b>	<b>1350</b>	<b>67.5</b>
CAPACITY @	15 HOUR RATE	1.280 SP. GR.	1256	83.7
CAPACITY @	12 HOUR RATE	1.280 SP. GR.	1175	97.9
CAPACITY @	10 HOUR RATE	1.280 SP. GR.	1121	112.1
CAPACITY @	8 HOUR RATE	1.280 SP. GR.	1053	131.6
CAPACITY @	6 HOUR RATE	1.280 SP. GR.	959	159.8
CAPACITY @	5 HOUR RATE	1.280 SP. GR.	905	181
CAPACITY @	4 HOUR RATE	1.280 SP. GR.	837	209
CAPACITY @	3 HOUR RATE	1.280 SP. GR.	756	252
CAPACITY @	2 HOUR RATE	1.280 SP. GR.	648	324
CAPACITY @	1 HOUR RATE	1.280 SP. GR.	459	459

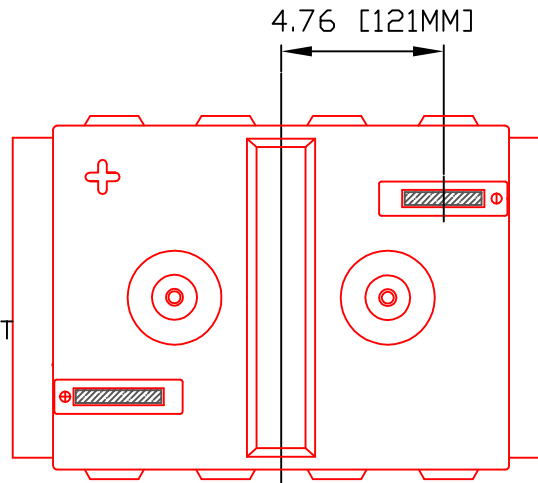


1 STATION RD SPRINGHILL, NOVA SCOTIA CANADA B0M 1X0 1.800.681.9914

REV.2  
 Jan-10  
 4 KS 25P



BOLT-ON CONNECTOR ASSEMBLY  
2 X 316 SS NUT, WASHERS, LOCK WASHER AND BOLT



PART NUMBER: 4-KS-25P

WEIGHT WET: 315 LB / 143 KG

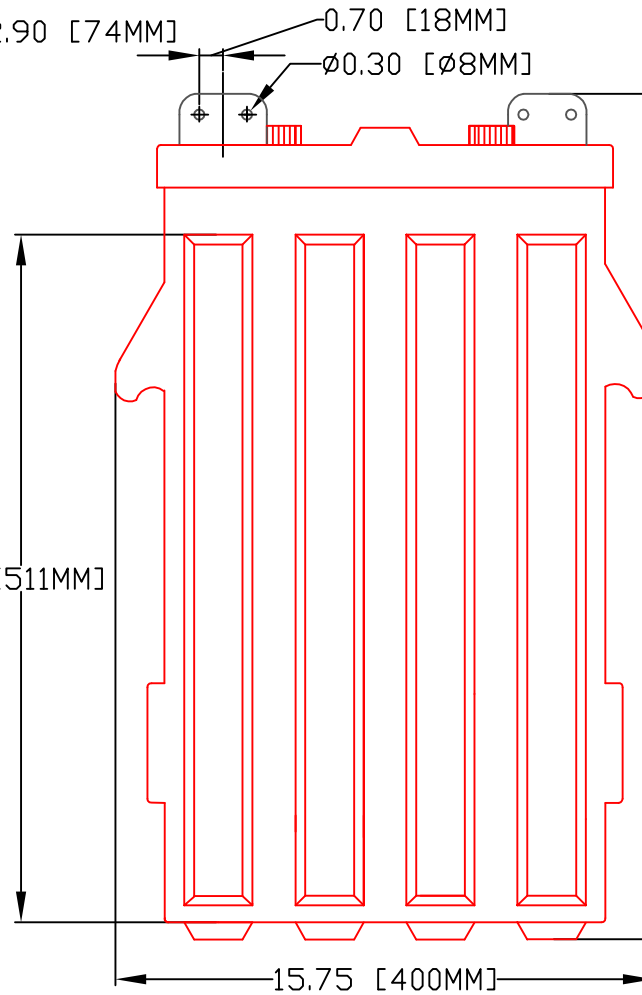
WEIGHT DRY: 220 LB / 100 KG

CAPACITY 1,350 AH 20 HR

VOLTAGE: 4 V

OVERALL DIMENSIONS: 15<sup>3</sup>/<sub>4</sub>" X 10<sup>5</sup>/<sub>8</sub>" X 24<sup>3</sup>/<sub>4</sub>"

MAX HEIGHT WITH OPTIONAL HYDROCAPS 25.13"/638MM



TITLE: 4KS25P

DESCRIPTION: 4V / 2 CELL 25 PLATE (KS) DEEP CYCLE

CONTACT INFO:  
WEB: WWW.ROLLSBATTERY.COM  
E-MAIL: SALES@ROLLSBATTERY.COM  
PHONE: 1-800-681-9914

SCALE: 1" = 6" 1" = 4" JPEG: NOT TO SCALE  
8.5" X 11" 11" X 17"

Drawn by: S. WILES Approved By: D. SURRETTE

DATE: JAN-2010 REVISION 2.0

DRAWING NO.: DWG 003, BD4KS25P